

SPECIFICATIONS

Material: Casing - Stainless Steel

Seal - Fluorosilicone Rubber GR 60

Mounting Nut: Stainless Steel

Temperature Range: HEXSEALS: -94°F to +400°F

Pressure Range: Exceeds 15 psi internal and 1500 psi external.

Operational Life: 50,000 actuations (minimum).

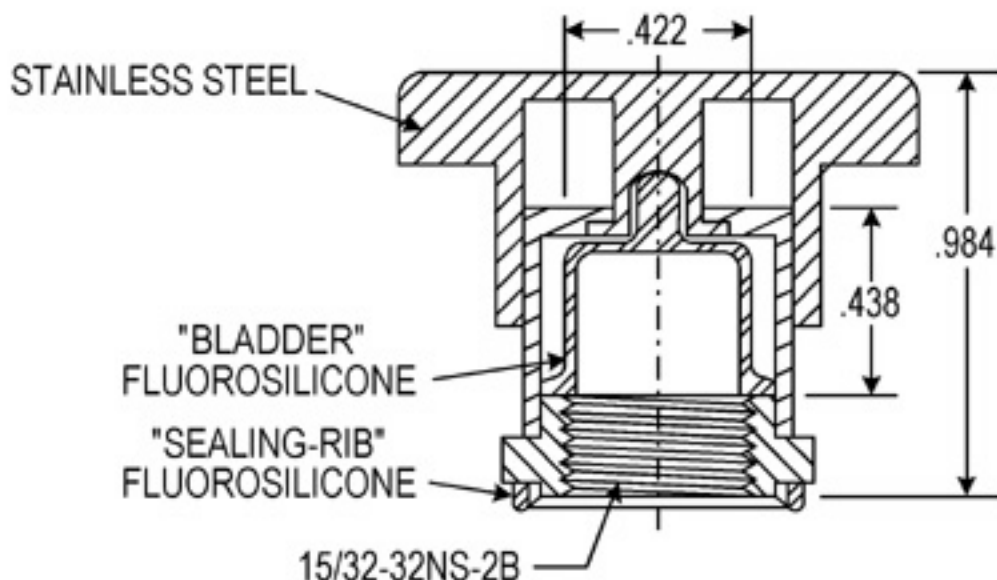
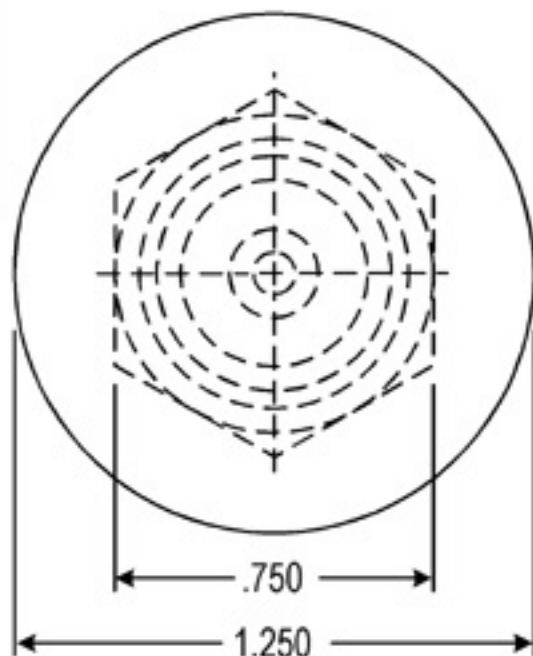
Shelf Life: Excess of 25 years.

Resistant to: Salt spray, sunlight, ozone, weather, fungus, and most acids and lubricating oils

Military Approvals: Most HEXSEALS are QPL-approved to MIL-B-5423.

Agency Recognition: E-SEELS and HEXSEALS are UL-listed to UL Std. 50 types 1-13, and meet CSA standards.

Installation: If a reducing adaptor is required - see page 14 of HEXSEAL catalog HEX200 for part numbers and drawing.



A		CAD COMPUTER GENERATED		10/23/02
REV.		DESCRIPTION		DATE
MAXIMUM AND MINIMUM MEASUREMENTS ARE STATED DIRECTLY ON EACH DIMENSION.		TITLE: ARMORED SEAL FOR PUSHBUTTON SWITCHES (1238/5 SS)	ENG. DWN.	K.S.
MATERIAL: STAINLESS STEEL & FLUROSILICONE RUBBER GR 60			CHKD.	
FINISH: BRUSH		APM-HEXSEAL CORPORATION	SCALE 2:1	DWG. NO. (1238/5 SS) HEXSEAL®

THIS DRAWING COVERS PROPRIETARY ITEM AND IS THE PROPERTY OF THE APM-HEXSEAL CORPORATION. THIS DRAWING IS NOT TO BE COPIED OR USED WITHOUT THE WRITTEN APPROVAL OF AN OFFICER OF THE APM-HEXSEAL CORPORATION.